



AVAILABLE ATTACHMENTS & ACCESSORIES**Accessories**

99944200201 GT Shoulder Harness Kit

Attachments

99944200460 Power Edger Attachment

99944200500 Cultivator Attachment

99944200570 Grass Trimmer Attachment

Cutting Heads

215111 Maxi-Cut Head

215311 Maxi-Cut Head

21560040 Echomatic Single Line Head

21560040A Semi-Auto Head Assembly

21560040B Semi-Auto Head Assembly

21560056 2-Line Rapid Loader

21560059 2-Line Rapid Loader

99944200240 Echomatic Dual Line Head

PARTS CATALOG
GT-2000SB TYPE 1E
GRASS TRIMMER**21.2cc****MODEL: SERIAL NUMBERS****GT-2000SB: Type 1E**

ECHO, INCORPORATED

400 Oakwood Road Lake Zurich, Illinois 60047 USA

WWW.ECHO-USA.COM



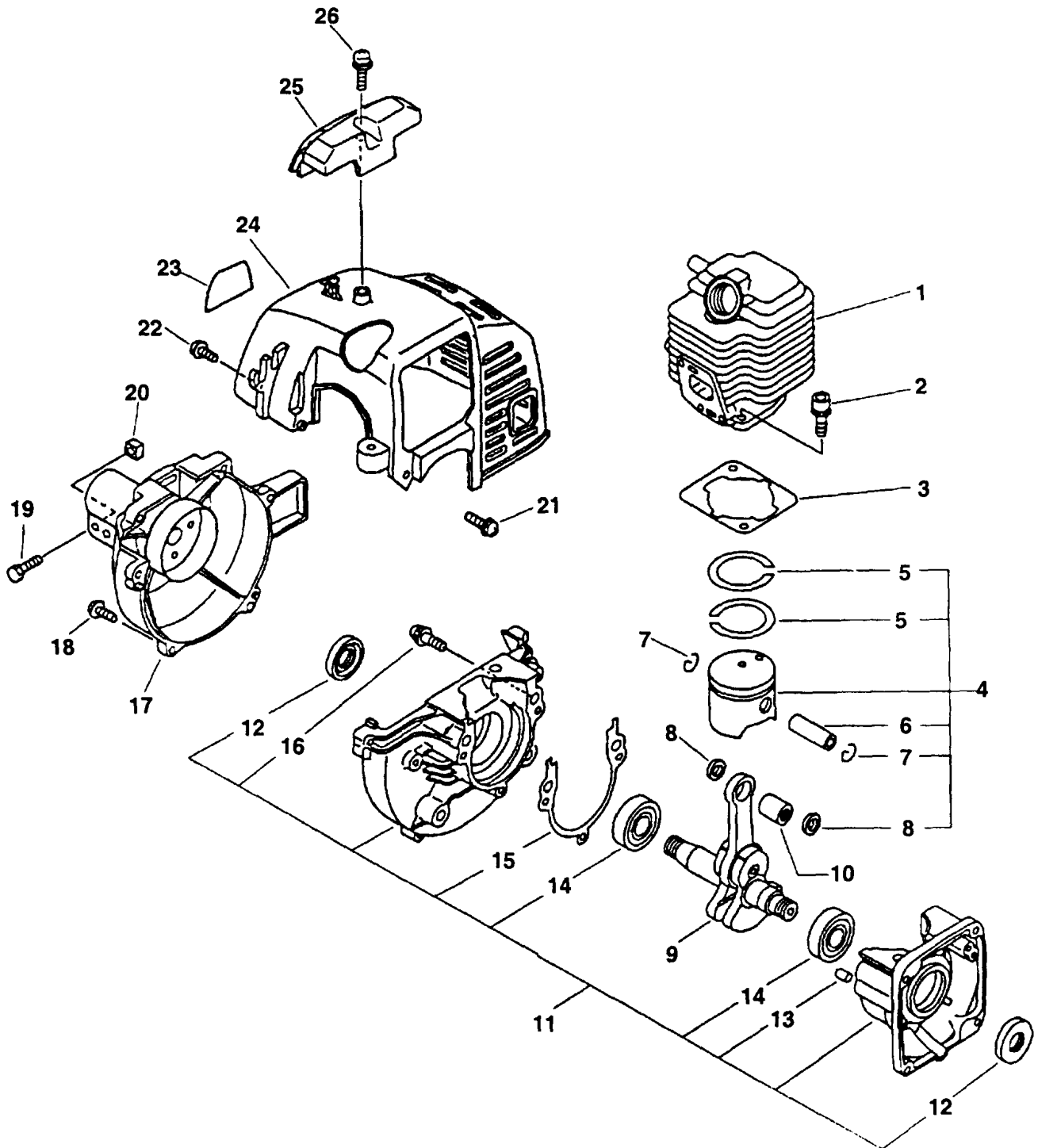
Table of Contents

Click Any Diagram Description Below To View That Diagram.

GT-2000SB Type 1E

Engine, Fan Housing, Cover.....	4
Ignition, Starter, Clutch, Stop Switch, Fuel System.....	6
Intake, Air Filter, Exhaust.....	8
Carburetor -- C1U-K47 S/N: 001001 - 501000.....	10
Carburetor -- C1U-K52 S/N: 501001 & Up.....	12
Driveshaft, Coupler, Gear Case, Handles, Throttle, Shield.....	14
Part Number Index.....	16
Part Description Index.....	17

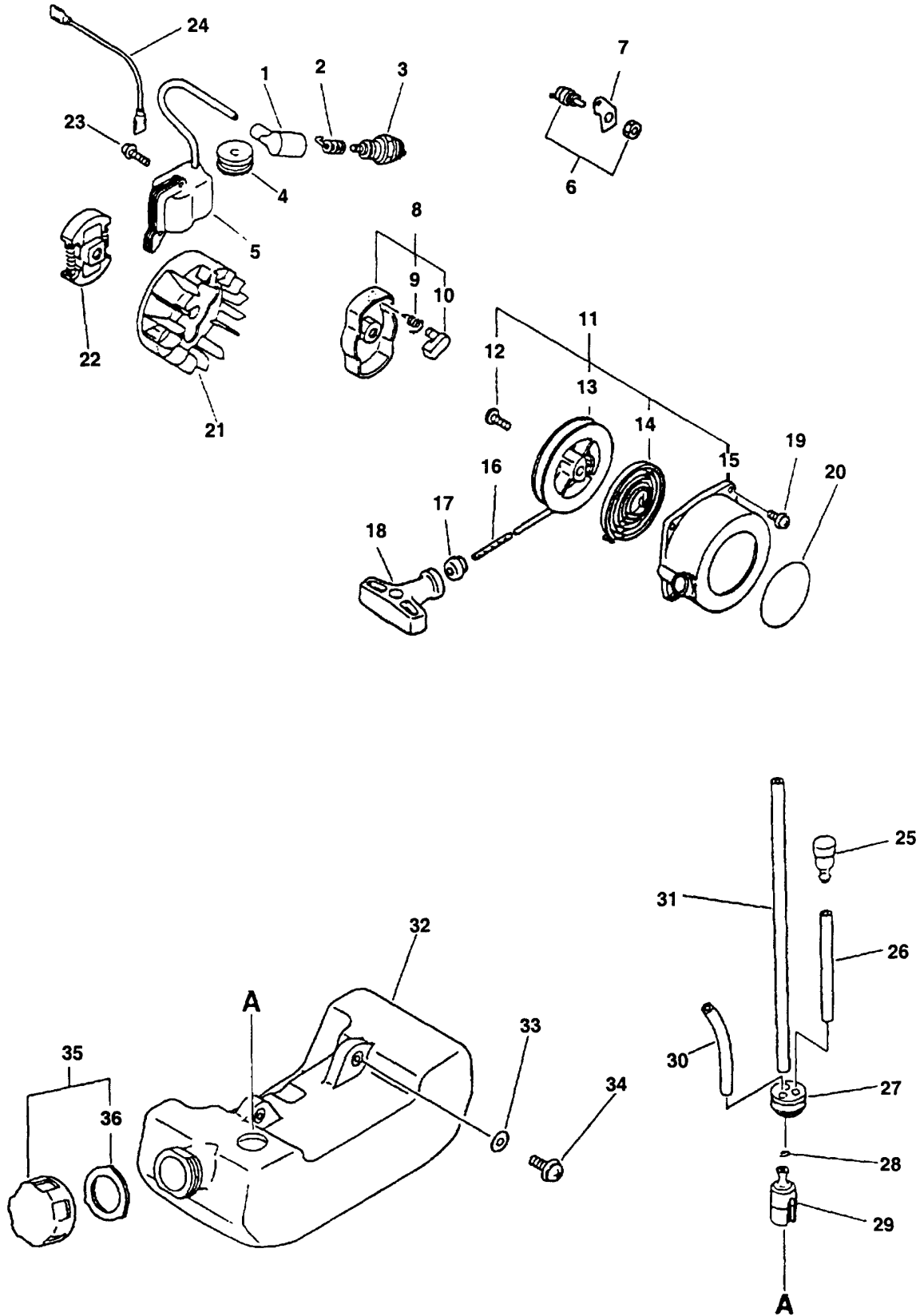
This Page Intentionally Left Blank



ITEM	PART NUMBER	QTY	DESCRIPTION	REMARKS
1	10101106560	1	CYLINDER	
2	90016205022	2	BOLT, H.S. 5X22	
3	10101044332	1	GASKET, CYLINDER BASE ¹	
4	10000048730	1	PISTON KIT	INCLUDES ITEMS 5 - 8
5	10001105330	2	RING, PISTON	
6	10001311520	1	PIN, PISTON	
7	10001504630	2	CIRCLIP, PISTON PIN	
8	10001411520	2	SPACER, PISTON PIN	
9		1	CRANKSHAFT ASY	INCLUDES ITEM 10
10	10001251230	1	BEARING, NEEDLE	
11		1	CRANKCASE KIT	INCLUDES ITEMS 12-16
12	10021242030	2	OILSEAL	
13	10021503930	2	PIN, DOWEL	
14	90081036201	2	BEARING, BALL 6201	
15		1	GASKET, CRANKCASE ¹	
16	90016205028	3	BOLT 5X28	
17	10150356630	1	COVER ASY, FAN	
18	90016204018	4	BOLT, H.S. 4X18	
19	90014205028	2	BOLT, 5X28	
20	90056500005	2	NUT 5	
21	90025304012	2	SCREW 4X12	
22	90025304016	2	SCREW 4X16	
23	89011256630	1	LABEL, MODEL	
24	10151448730	1	COVER, CYLINDER	
25	15991248630	1	GUARD, TOP	
26	90025305016	1	SCREW 5X16	
	SB1026	1	SHORT BLOCK	
	88900042031	1	GASKET KIT	

Footnotes

1: Also Included in Gasket Kit

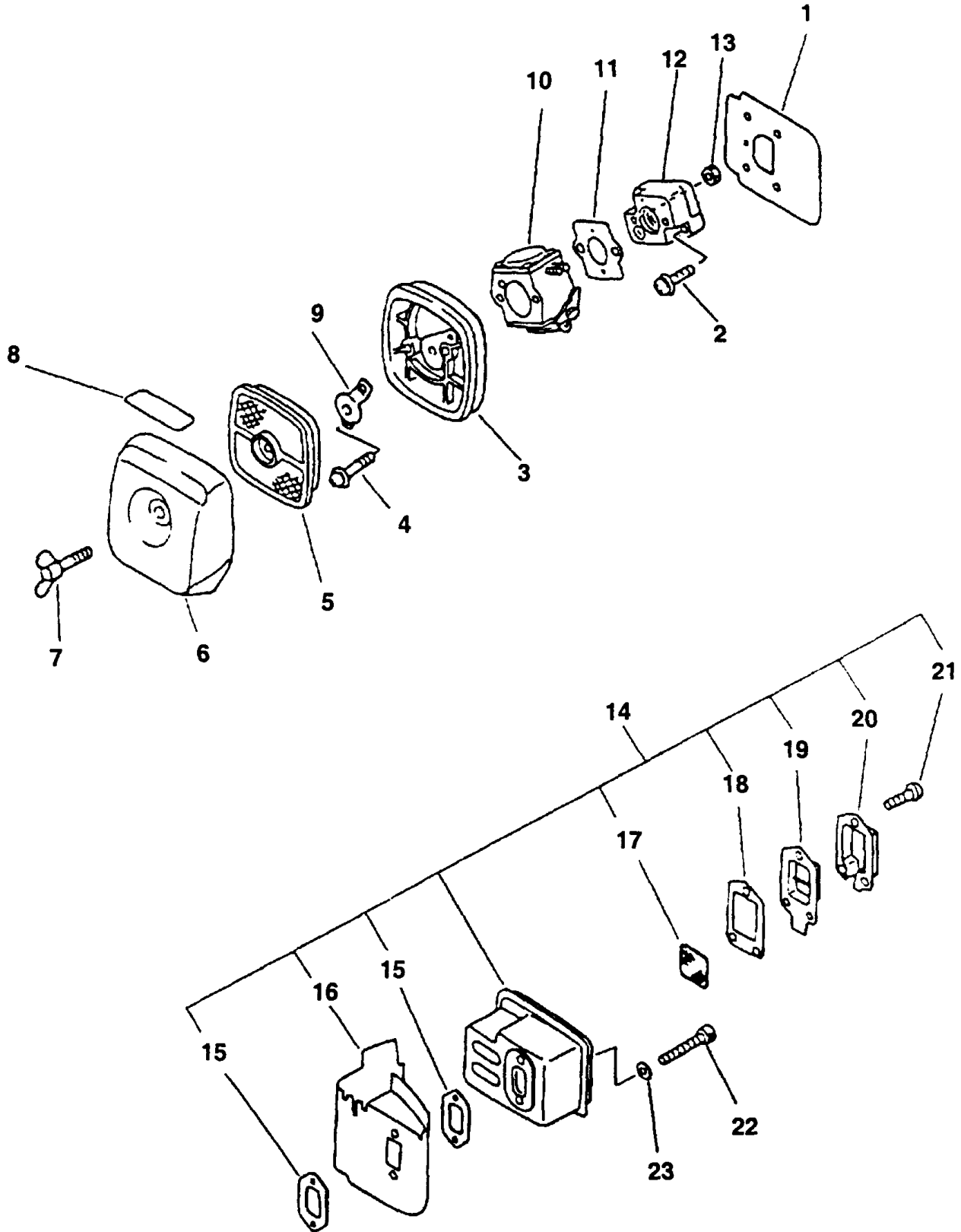


ITEM	PART NUMBER	QTY	DESCRIPTION	REMARKS
1	15901201620	1	CAP, SPARK PLUG	
2	15901103432	1	COIL, SPARK PLUG CAP	
3	15901010630	1	PLUG, SPARK BPM-7A	
3	15901010230	1	PLUG, SPARK BPMR-7A	CANADA MODELS
4	15011244330	1	BUSHING	
5	15660152130	1	COIL, IGNITION	
6	16340003460	1	SWITCH, IGNITION	
7	16381044330	1	BRACKET, IGNITION	
8	17720244330	1	PAWL ASY, STARTER	INCLUDES ITEMS 9-10
9	17723442030	1	SPRING, RETURN	
10	17721844330	1	PAWL, STARTER	
11	17720042033	1	STARTER ASY	INCLUDES ITEMS 12 -18
12	17723644330	1	SCREW	
13	17721544430	1	DRUM, STARTER	
14	17722042030	1	SPRING, REWIND	
15	17723242032	1	CASE, STARTER	
16		1	ROPE, STARTER	USE BULK ROPE P/N 99944400040
17	17722742030	1	GUIDE, ROPE	
18	17722806530	1	GRIP, STARTER	
19	90016204016	2	BOLT, H.S. 4X16	
20	89011849130	1	LABEL, ECHO	
21	15680144731	1	FLYWHEEL	
22	17500049030	1	CLUTCH ASY	
23	90016204022	2	BOLT, H.S. 4X22	
24	16202152130	1	LEAD	
25	13130056430	1	VALVE, CHECK ¹	
26	13131244330	1	PIPE 3X5X70	
27	13211546730	1	GROMMET, FUEL	
28	13201309820	1	CLIP	
29	13120507320	1	STRAINER, FUEL ²	
30	13201256030	1	PIPE	
31	13201013930	1	PIPE, FUEL	
32	13100546830	1	TANK, FUEL	
33	90060300005	2	WASHER 5	
34	90023805016	2	SCREW 5X16	
35	13100455830	1	CAP ASY, FUEL TANK ¹	INCLUDES ITEM 36
36	13101655830	1	GASKET, FUEL CAP	
	99944400040		BULK ROPE	
	90010		VENT/CAP KIT, REPOWER	
	90008		FILTRATION KIT, REPOWER	

Footnotes

1: INCLUDED IN KIT P/N 90010

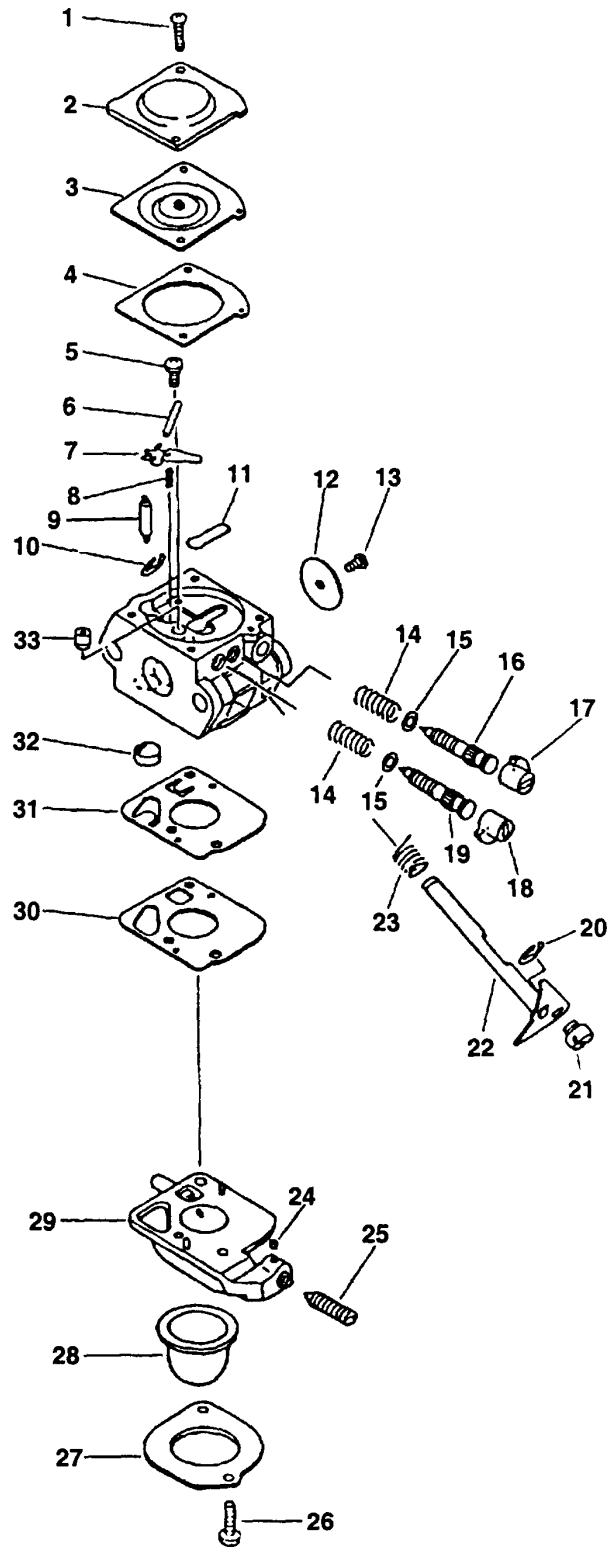
2: INCLUDED IN KIT P/N 90008



ITEM	PART NUMBER	QTY	DESCRIPTION	REMARKS
1	13001042032	1	GASKET, INTAKE ¹	
2	90023805020	2	SCREW 5X20	
3	13030706561	1	CASE, AIR CLEANER	
4	90024205065	2	SCREW 5X65	
5	13031054130	1	FILTER, AIR H.D. ²	
6	13031306563	1	LID, AIR CLEANER	
7	21041752730	1	BOLT, WING	
8	89012106360	1	LABEL, CHOKE	
9	12901152730	1	PLATE, PREVENT	
10	12520049030	1	CARBURETOR ASY C1U-K47	TYPE 1 S/N 001001 - 007393. TYPE 1E S/N 001001 - 501000
10	12520013312	1	CARBURETOR ASY C1U-K52	TYPE 1 S/N 007394 & UP. TYPE 1E S/N 501001 & UP
11	13001642031	1	GASKET, INTAKE ¹	
12	13001742031	1	INSULATOR	
13	90050000005	2	NUT 5	
14	14580054130	1	MUFFLER ASY	INCLUDES ITEMS 15 - 21
15	14551042031	2	GASKET, MUFFLER ¹	
16	14587144331	1	COVER, MUFFLER	
17	14586240630	1	SCREEN, MUFFLER	
18	14586642031	1	GASKET, MUFFLER LID ¹	
19	14587642030	1	LID, MUFFLER	
20	14586354130	1	FIXTURE, SCREEN	
21	90023804010	3	SCREW 4X10	
22	90010505055	2	BOLT, H.S. 5X55	
23	90060000005	2	WASHER 5	
	88900042031		GASKET KIT	
	90008		FILTRATION KIT, REPOWER	

Footnotes

- 1: Also Included in Gasket Kit
- 2: Also Included in Repower Filtration Kit

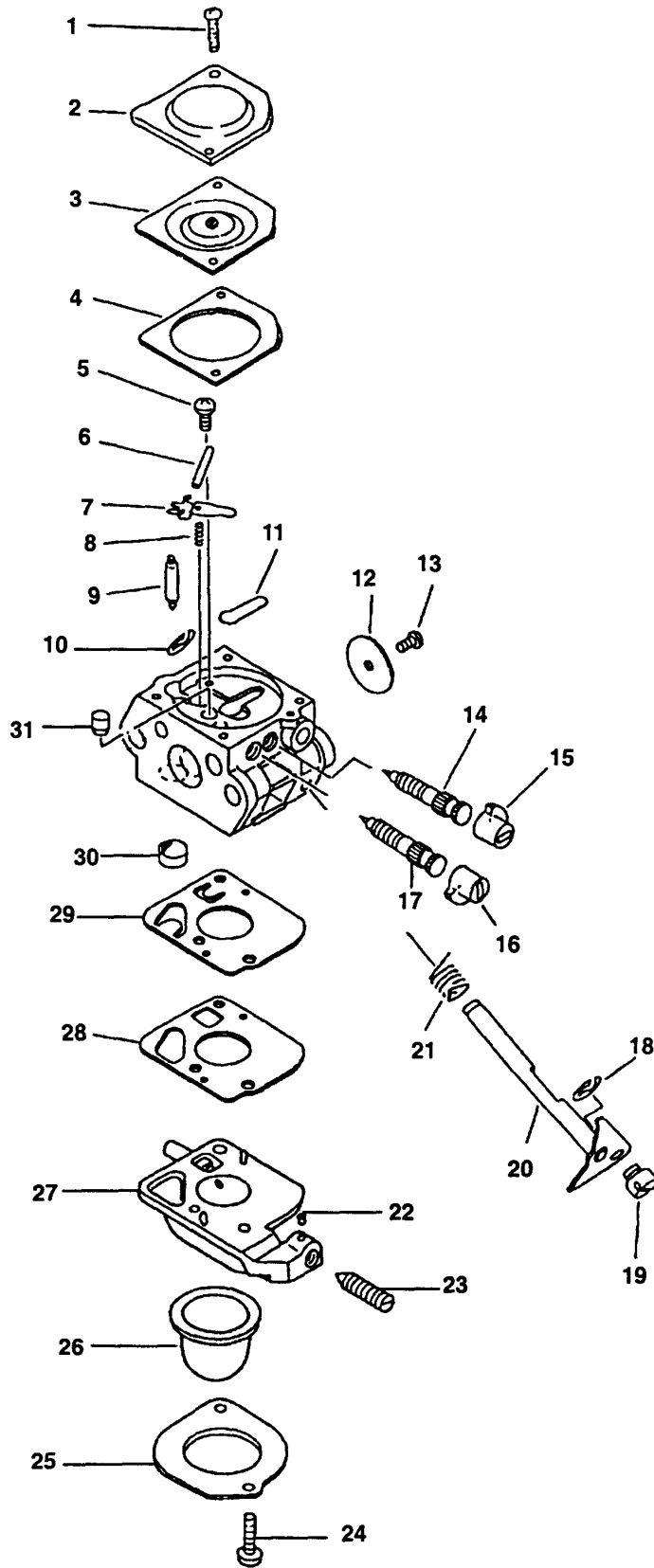


ITEM	PART NUMBER	QTY	DESCRIPTION	REMARKS
	12520049030	1	CARBURETOR C1U-K47	
1	12534452130	2	SCREW	
2	12534213210	1	COVER, METERING DIAPHRAGM	
3		1	DIAPHRAGM, METERING ¹	
4		1	GASKET, METERING DIAPHRAGM ¹	
5	12533942030	1	SCREW	
6		1	PIN, METERING ARM ²	
7		1	LEVER, METERING ²	
8		1	SPRING, METERING LEVER ²	
9		1	VALVE, INLET NEEDLE ²	
10	12532715130	1	CLIP	
11		1	PLUG, WELCH ²	
12	12531649030	1	VALVE, THROTTLE	
13	12531413930	1	SCREW	
14	12531942030	2	SPRING, NEEDLE	
15	12535320560	2	WASHER	
16	12531807360	1	NEEDLE, LOW SPEED	
17	12532909860	1	LIMITER, CAP L.S.	TYPE 1E ONLY
18	12532939030	1	LIMITER, CAP H.S.	TYPE 1E ONLY
19	12532007360	1	NEEDLE, HIGH SPEED	
20	12532713930	1	CLIP	
21	12537242030	1	SWIVEL	
22	12531749030	1	SHAFT, THROTTLE	
23	12531342030	1	SPRING, THROTTLE RETURN	
24	12537813930	1	PIECE, FRICTION	
25	12533413930	1	SCREW, IDLE ADJUST	
26	12531011610	2	SCREW	
27	12536311610	1	RETAINER, PURGE PUMP	
28	12538108660	1	PUMP, PURGE	
29	12538313310	1	BASE, PURGE	
30		1	GASKET, FUEL PUMP ¹	
31		1	DIAPHRAGM, FUEL PUMP ¹	
32		1	STRAINER ²	
33	12537649030	1	NOZZLE, CHECK VALVE	
	12530049030	1	REBUILD KIT	
	12530349030	1	GASKET/DIAPHRAGM KIT	

Footnotes

1: INCLUDED IN REBUILD KIT AND GASKET/DIAPHRAGM KIT

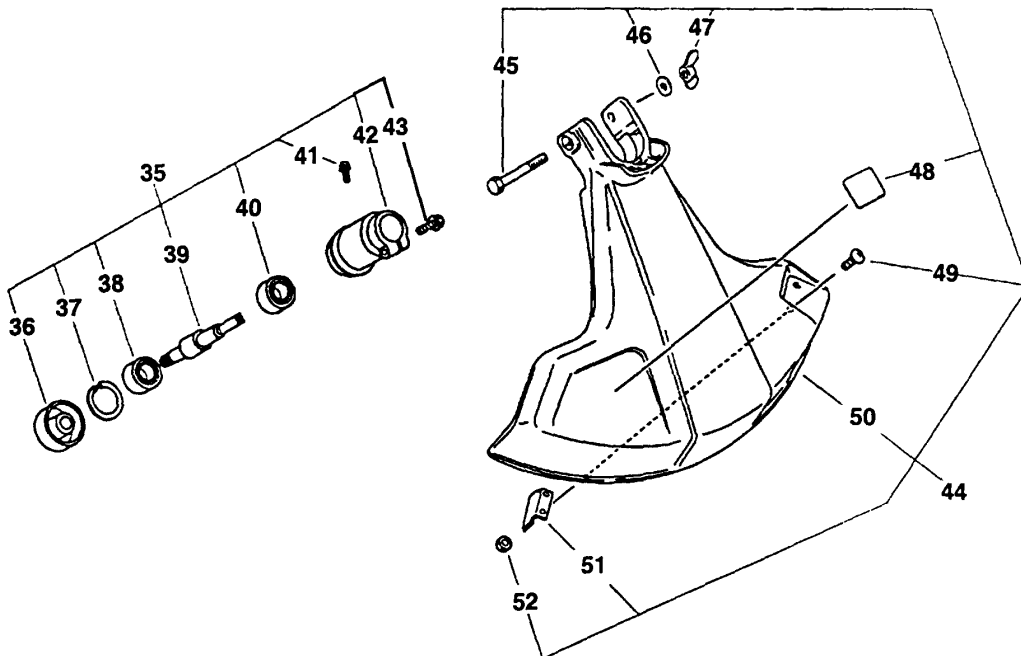
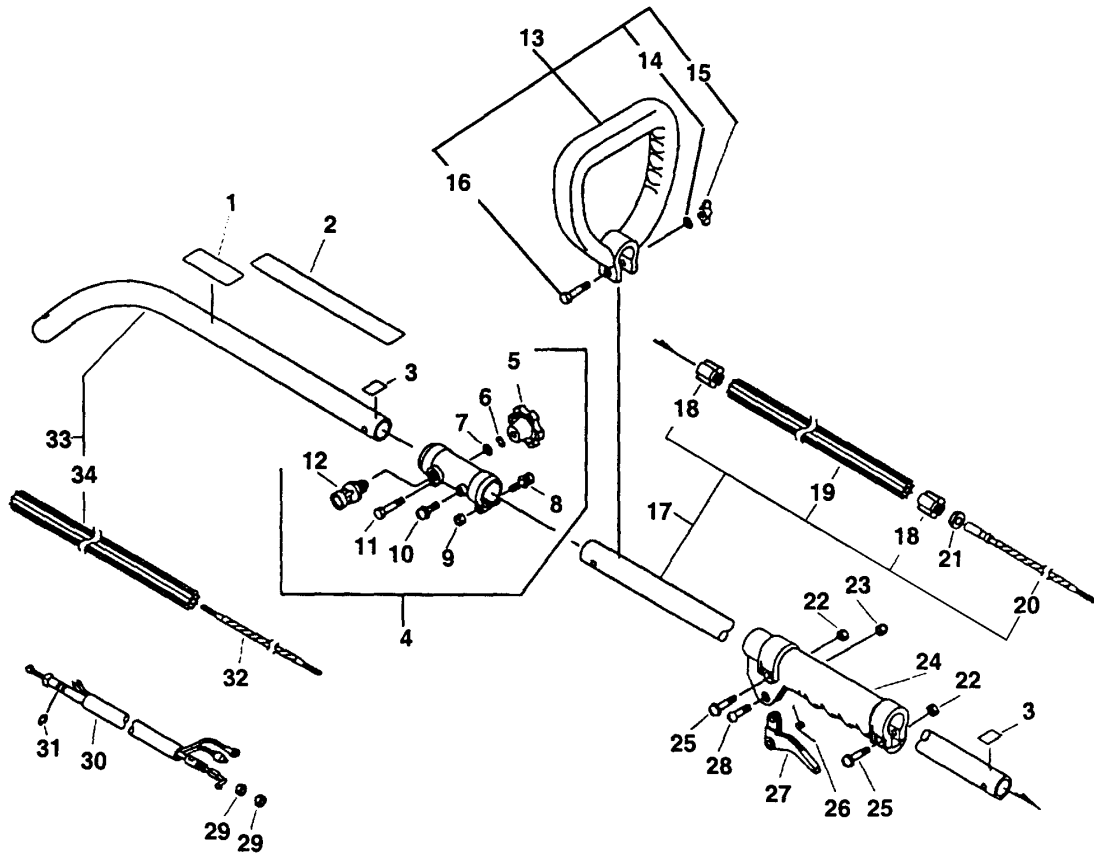
2: INCLUDED IN REBUILD KIT



ITEM	PART NUMBER	QTY	DESCRIPTION	REMARKS
	12520013312	1	CARBURETOR C1U-K52	
1	12534452130	2	SCREW	
2	12534213210	1	COVER, METERING DIAPHRAGM	
3		1	DIAPHRAGM, METERING ¹	
4		1	GASKET, METERING DIAPHRAGM ¹	
5	12533942030	1	SCREW	
6		1	PIN, METERING LEVER ²	
7		1	LEVER, METERING ²	
8		1	SPRING, LEVER METERING ²	
9		1	NEEDLE, INLET ²	
10	12532715130	1	CLIP	
11		1	PLUG, WELCH ²	
12	12531649030	1	VALVE, THROTTLE	
13	12531413930	1	SCREW	
14	12531813310	1	NEEDLE, LO SPEED	
15	12532909860	1	CAP, LO SPEED LIMITER	
16	12532939030	1	CAP, HI SPEED LIMITER	
17	12532013310	1	NEEDLE, HI SPEED	
18	12532713930	1	CLIP	
19	12537242030	1	SWIVEL	
20	12531749030	1	SHAFT, THROTTLE	
21	12531342030	1	SPRING, THROTTLE RETURN	
22	12537813930	1	PIECE, FRICTION	
23	12533413930	1	SCREW, IDLE ADJUST	
24	12531011610	2	SCREW	
25	12536311610	1	RETAINER, PURGE PUMP	
26	12538108660	1	PUMP, PURGE	
27	12538313310	1	BASE, PURGE	
28		1	GASKET, FUEL PUMP ¹	
29		1	DIAPHRAGM, FUEL PUMP ¹	
30		1	STRAINER ²	
31	12537613120	1	NOZZLE, CHECK VALVE	
	12530013310	1	REBUILD KIT	
	12530313310	1	GASKET/DIAPHRAGM KIT	

Footnotes

- 1: INCLUDED IN REBUILD KIT AND GASKET/DIAPHRAGM KIT
 2: INCLUDED IN REBUILD KIT



ITEM	PART NUMBER	QTY	DESCRIPTION	REMARKS
1	89017740630	1	LABEL, CAUTION	
2	89031744530	1	LABEL, CAUTION	
3	89015204930	2	LABEL, LOCATION	
4	61060156630	1	HOLDER, MAIN PIPE	INCLUDES ITEMS 5-12
5	35232527630	1	LOCKNUT	
6	90060500005	1	WASHER, SPRING 5	
7	90060000005	1	WASHER 5	
8	90014205030	1	BOLT 5X30	
9	90050000005	1	NUT 5	
10	90024205012	1	SCREW 5X12	
11	90010005035	1	BOLT 5X35	
12	17830256630	1	LATCH ASY	
13	35160044330	1	HANDLE, FRONT	INCLUDES ITEMS 14-16
14	90003500008	1	WASHER, CIRCULAR 1/4	
15	90003300008	1	NUT, WING 1/4-20	
16	90001708048	1	BOLT, 1/4-20X1-1/2	
17	61020656630	1	HOUSING ASY, DRIVE SHAFT (UPPER)	INCLUDES ITEMS 18-20
18	61024655330	2	FIXTURE, LINER	
19	61021756630	1	LINER, FLEXIBLE (UPPER)	
20	61001355630	1	SHAFT, FLEXIBLE (UPPER)	
21	10025115130	1	CUSHION	
22	90050000005	2	NUT 5	
23	90056000005	1	NUT, LOCK	
24	35121344330	1	GRIP	
25	90024005025	2	SCREW 5X25	
26	17804306930	1	SPRING, THROTTLE RETURN	
27	17801048731	1	CONTROL, THROTTLE	
28	17811005330	1	SCREW	
29	90050200006	2	NUT 6 (3N)	
30	17800244430	1	WIRE, THROTTLE	
31	90070000004	1	E-RING 4	
32	61001350730	1	SHAFT, FLEXIBLE (GT LOWER)	
33	61020650730	1	HOUSING ASY, DRIVE SHAFT (GT LOWER)	INCLUDES ITEM 34
34	61021750730	1	LINER, FLEXIBLE (GT LOWER)	
35	61040452430	1	CASE ASY, BEARING (GT)	INCLUDES ITEMS 36-43
36	61030552430	1	PLATE, ADAPTER (U)	
37	90070200030	1	CIRCLIP 30	
38	90081106200	1	BEARING, BALL 6200	
39	61031052430	1	SHAFT, P.T.O.	
40	90081006200	1	BEARING, BALL 6200	
41	90024204010	1	SCREW 4X10	
42	61041052430	1	CASE, GEAR	
43	90015205025	1	BOLT 5X25	
44	69900452730	1	SHIELD ASY, W/LABEL	INCLUDES ITEMS 45-52
45	90001708064	1	BOLT 1/4-20X2	
46	90003500008	1	WASHER, CIRCULAR 1/4	
47	90003300008	1	NUT, WING 1/4-20	
48	89016844330	1	LABEL, CAUTION	
49	90024205016	2	SCREW 5X16	
50	69901044330	1	SHIELD	
51	69901644330	1	CUTTER	
52	90050000005	2	NUT 5	



Part Number Index

Click The Page Number After Any Part Number To View The Diagram Containing That Part.

Part Number	Page	Part Number	Page	Part Number	Page
.....	5, 7, 11, 13	159010102307	9002420501615
100000487305	159010106307	900242050659
100011053305	159011034327	900253040125
100012512305	159012016207	900253040165
100013115205	159912486305	900253050165
100014115205	162021521307	900500000059, 15
100015046305	163400034607	9005020000615
100212420305	163810443307	9005600000515
100215039305	175000490307	900565000055
1002511513015	177200420337	900600000059, 15
101010443325	177202443307	900603000057
101011065605	177215444307	9006050000515
101503566305	177218443307	9007000000415
101514487305	177220420307	9007020003015
125200133129, 13	177227420307	9008100620015
125200490309, 11	177228065307	900810362015
1253001331013	177232420327	9008110620015
1253004903011	177234420307	999444000407
1253031331013	177236443307	SB10265
1253034903011	1780024443015		
1253101161011, 13	1780104873115		
1253134203011, 13	1780430693015		
1253141393011, 13	1781100533015		
1253164903011, 13	1783025663015		
1253174903011, 13	210417527309		
1253180736011	3512134433015		
1253181331013	3516004433015		
1253194203011	3523252763015		
1253200736011	6100135073015		
1253201331013	6100135563015		
1253271393011, 13	6102065073015		
1253271513011, 13	6102065663015		
1253290986011, 13	6102175073015		
1253293903011, 13	6102175663015		
1253341393011, 13	6102465533015		
1253394203011, 13	6103055243015		
1253421321011, 13	6103105243015		
1253445213011, 13	6104045243015		
1253532056011	6104105243015		
1253631161011, 13	6106015663015		
1253724203011, 13	6990045273015		
1253761312013	6990104433015		
1253764903011	6990164433015		
1253781393011, 13	889000420315, 9		
1253810866011, 13	890112566305		
1253831331011, 13	890118491307		
129011527309	890121063609		
130010420329	8901520493015		
130016420319	8901684433015		
130017420319	8901774063015		
130307065619	8903174453015		
130310541309	9000170804815		
130313065639	9000170806415		
131004558307	9000330000815		
131005468307	9000350000815		
131016558307	900087, 9		
131205073207	900107		
131300564307	9001000503515		
131312443307	900105050559		
132010139307	900142050285		
132012560307	9001420503015		
132013098207	9001520502515		
132115467307	900162040167		
145510420319	900162040185		
145800541309	900162040227		
145862406309	900162050225		
145863541309	900162050285		
145866420319	900238040109		
145871443319	900238050167		
145876420309	900238050209		
150112443307	9002400502515		
156601521307	9002420401015		
156801447317	9002420501215		



Part Description Index

Click The Page Number After Any Part Description To View The Diagram Containing That Part.

<p>B</p> <p>BASE, PURGE.....11, 13 BEARING, BALL 6200.....15 BEARING, BALL 6201.....5 BEARING, NEEDLE.....5 BOLT 1/4-20X2.....15 BOLT 5X25.....15 BOLT 5X28.....5 BOLT 5X30.....15 BOLT 5X35.....15 BOLT, 1/4-20X1-1/2.....15 BOLT, 5X28.....5 BOLT, H.S. 4X16.....7 BOLT, H.S. 4X18.....5 BOLT, H.S. 4X22.....7 BOLT, H.S. 5X22.....5 BOLT, H.S. 5X55.....9 BOLT, WING.....9 BRACKET, IGNITION.....7 BULK ROPE.....7 BUSHING.....7</p> <p>C</p> <p>CAP ASY, FUEL TANK.....7 CAP, HI SPEED LIMITER.....13 CAP, LO SPEED LIMITER.....13 CAP, SPARK PLUG.....7 CARBURETOR ASY C1U-K47.....9 CARBURETOR ASY C1U-K52.....9 CARBURETOR C1U-K47.....11 CARBURETOR C1U-K52.....13 CASE ASY, BEARING (GT).....15 CASE, AIR CLEANER.....9 CASE, GEAR.....15 CASE, STARTER.....7 CIRCLIP 30.....15 CIRCLIP, PISTON PIN.....5 CLIP.....7, 11, 13 CLUTCH ASY.....7 COIL, IGNITION.....7 COIL, SPARK PLUG CAP.....7 CONTROL, THROTTLE.....15 COVER ASY, FAN.....5 COVER, CYLINDER.....5 COVER, METERING DIAPHRAGM.....11, 13 COVER, MUFFLER.....9 CRANKCASE KIT.....5 CRANKSHAFT ASY.....5 CUSHION.....15 CUTTER.....15 CYLINDER.....5</p> <p>D</p> <p>DIAPHRAGM, FUEL PUMP.....11, 13 DIAPHRAGM, METERING.....11, 13 DRUM, STARTER.....7</p> <p>E</p> <p>E-RING 4.....15</p> <p>F</p> <p>FILTER, AIR H.D.....9 FILTRATION KIT, REPOWER.....7, 9</p>	<p>FIXTURE, LINER.....15 FIXTURE, SCREEN.....9 FLYWHEEL.....7</p> <p>G</p> <p>GASKET KIT.....5, 9 GASKET, CRANKCASE.....5 GASKET, CYLINDER BASE.....5 GASKET, FUEL CAP.....7 GASKET, FUEL PUMP.....11, 13 GASKET, INTAKE.....9 GASKET, METERING DIAPHRAGM.....11, 13 GASKET, MUFFLER.....9 GASKET, MUFFLER LID.....9 GASKET/DIAPHRAGM KIT.....11, 13 GRIP.....15 GRIP, STARTER.....7 GROMMET, FUEL.....7 GUARD, TOP.....5 GUIDE, ROPE.....7</p> <p>H</p> <p>HANDLE, FRONT.....15 HOLDER, MAIN PIPE.....15 HOUSING ASY, DRIVE SHAFT (GT LOWER)..... 15 HOUSING ASY, DRIVE SHAFT (UPPER).....15</p> <p>I</p> <p>INSULATOR.....9</p> <p>L</p> <p>LABEL, CAUTION.....15 LABEL, CHOKE.....9 LABEL, ECHO.....7 LABEL, LOCATION.....15 LABEL, MODEL.....5 LATCH ASY.....15 LEAD.....7 LEVER, METERING.....11, 13 LID, AIR CLEANER.....9 LID, MUFFLER.....9 LIMITER, CAP H.S.....11 LIMITER, CAP L.S.....11 LINER, FLEXIBLE (GT LOWER).....15 LINER, FLEXIBLE (UPPER).....15 LOCKNUT.....15</p> <p>M</p> <p>MUFFLER ASY.....9</p> <p>N</p> <p>NEEDLE, HI SPEED.....13 NEEDLE, HIGH SPEED.....11 NEEDLE, INLET.....13 NEEDLE, LO SPEED.....13 NEEDLE, LOW SPEED.....11 NOZZLE, CHECK VALVE.....11, 13 NUT 5.....5, 9, 15 NUT 6 (3N).....15 NUT, LOCK.....15 NUT, WING 1/4-20.....15</p>	<p>O</p> <p>OILSEAL.....5</p> <p>P</p> <p>PAWL ASY, STARTER.....7 PAWL, STARTER.....7 PIECE, FRICTION.....11, 13 PIN, DOWEL.....5 PIN, METERING ARM.....11 PIN, METERING LEVER.....13 PIN, PISTON.....5 PIPE.....7 PIPE 3X5X70.....7 PIPE, FUEL.....7 PISTON KIT.....5 PLATE, ADAPTER (U).....15 PLATE, PREVENT.....9 PLUG, SPARK BPM-7A.....7 PLUG, SPARK BPMR-7A.....7 PLUG, WELCH.....11, 13 PUMP, PURGE.....11, 13</p> <p>R</p> <p>REBUILD KIT.....11, 13 RETAINER, PURGE PUMP.....11, 13 RING, PISTON.....5 ROPE, STARTER.....7</p> <p>S</p> <p>SCREEN, MUFFLER.....9 SCREW.....7, 11, 13, 15 SCREW 4X10.....9, 15 SCREW 4X12.....5 SCREW 4X16.....5 SCREW 5X12.....15 SCREW 5X16.....5, 7, 15 SCREW 5X20.....9 SCREW 5X25.....15 SCREW 5X65.....9 SCREW, IDLE ADJUST.....11, 13 SHAFT, FLEXIBLE (GT LOWER).....15 SHAFT, FLEXIBLE (UPPER).....15 SHAFT, P.T.O.....15 SHAFT, THROTTLE.....11, 13 SHIELD.....15 SHIELD ASY, W/LABEL.....15 SHORT BLOCK.....5 SPACER, PISTON PIN.....5 SPRING, LEVER METERING.....13 SPRING, METERING LEVER.....11 SPRING, NEEDLE.....11 SPRING, RETURN.....7 SPRING, REWIND.....7 SPRING, THROTTLE RETURN.....11, 13, 15 STARTER ASY.....7 STRAINER.....11, 13 STRAINER, FUEL.....7 SWITCH, IGNITION.....7 SWIVEL.....11, 13</p> <p>T</p> <p>TANK, FUEL.....7</p>
---	---	--



Part Description Index (continued)

V

VALVE, CHECK.....7
VALVE, INLET NEEDLE.....11
VALVE, THROTTLE.....11, 13
VENT/CAP KIT, REPOWER.....7

W

WASHER.....11
WASHER 5.....7, 9, 15
WASHER, CIRCULAR 1/4.....15
WASHER, SPRING 5.....15
WIRE, THROTTLE.....15

NOTES



ECHO, INCORPORATED

400 Oakwood Road
Lake Zurich, IL 60047 USA

WWW.ECHO-USA.COM
